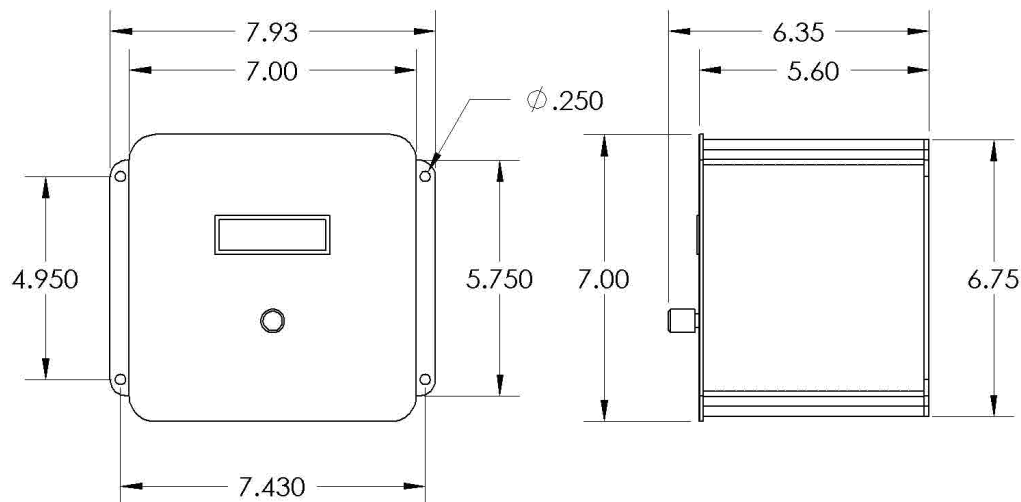


## FEATURES

- Fast Microsecond Processing
- Prewired M-12 Connectors
- Magnetic Base Mount
- 2 - Lines of 16 Character Digital Display
- Single Dial/Push Button Control
- 24DC or 120AC Output Relay, where applicable



Providing Innovative Solutions... Delivering the Greatest Value!

# Specifications

## POWER

120 VAC 5 amp fused

24 VDC 1.8 amp internal power supply. (1.6 amp max. available to power input and output devices)

## INPUTS

Digital Input #1: 24 VDC, PNP

## OUTPUTS

Output #1: Solid state relay 24 VDC 3 amp max, or optional 120 VAC

## PERFORMANCE

Resolution of 100 microsecond (0.1 msec)

Valve mechanical response compensation for precise glue pattern registration

Low speed cut-off adjustable (1fpm-99fpm)

Stitch capable with stitches guaranteed at beginning and end of patterns regardless of spacing settings

20 Program storage and program re-call

True-to-Length programming even without encoder input by setting a simulated speed

## NON-STANDARD ITEMS (PRICE ADDER)

Power: 240 VAC 2.5 amps

Inputs: NPN

Outputs: 240 VAC

Custom programming available to meet your specific application



6504 Snider Road Loveland, OH 45140 800-852-3522

[www.haeco.us](http://www.haeco.us)