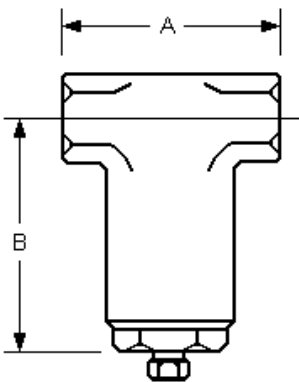




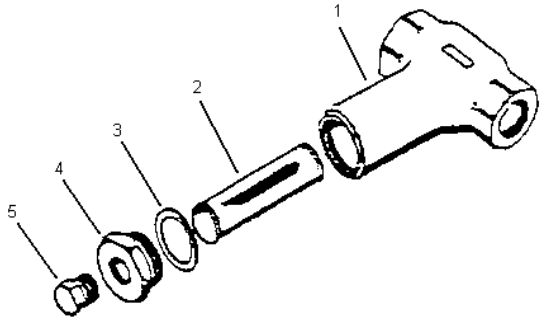
902 Series Glue Filter

The HAECO 902 Series Glue Filter is designed for effective strainer relief performance with minimal maintenance. They protect against the wear and malfunction of glue regulators, valves, and applicators caused by contaminants that have gotten into the adhesive supply. They feature a large open screen area for efficient filtering of adhesives at pressures up to 125 psi. Removable bottom pipe plugs provide an easy method for flush cleaning. The standard filters are available in 3/8" npt(f) and 3/4" npt(f) inlet/outlet ports and have a removable bottom cap for complete withdrawal of the filter screen. The filter body is brass and the internal filter screen is constructed of 304 stainless steel. An all stainless version is available as a special (consult factory for price and delivery).



ITEM	3/8" NPT	1/2" NPT	3/4" NPT	Description
	902-00-00	902-02-00	902-01-00	Complete Assembly, 50 Mesh
	902-00-10			Complete Assembly, 100 Mesh
1	902-00-05	902-00-05	902-01-05	Filter body, Brass
2	902-00-01	902-00-01	902-01-01	Filter Screen, 50 Mesh
2	902-00-02			Filter Screen, 100 Mesh
3	902-00-09	902-00-09	902-01-09	Gasket
4	902-00-08	902-00-08	902-01-08	Cap, Brass
5	902-00-07	902-00-07	902-01-07	Plug, Brass

Glue Filter P/N				Net Weight
902-00-00	3/8"	3 1/4"	3 1/2"	1/4 LB.
902-00-10	3/8"	3 1/4"	3 1/2"	1/4 LB.
902-02-00	1/2"	3 1/4"	3 1/2"	1/4 LB.
902-01-00	3/4"	5 1/4"	5 5/8"	1/8 LB.



www.haeco.us

6504 Snider Road • Loveland, Ohio 45140 • 800-852-3522 • Fax: 513-722-1032